

## Aegis-1000

- Aegis-1000:** Full Height Turnstile
- Aegis-1011:** Full Height Turnstile with RFID Access Control System
- Aegis-1022:** Full Height Turnstile with Fingerprint and RFID Access Control System



If any outdoor facility requires a security solution to stop tailgating and manage medium throughput, then a full height turnstile will be the best option. Entrance and exit involve two-way traffic flow, and pedestrians must wait for their turn to go through the turnstile one by one. The rotating bars come in sets of three or four for alternatives, and the inner space only allows one person at a time. It provides the highest level of security among all the turnstile types.

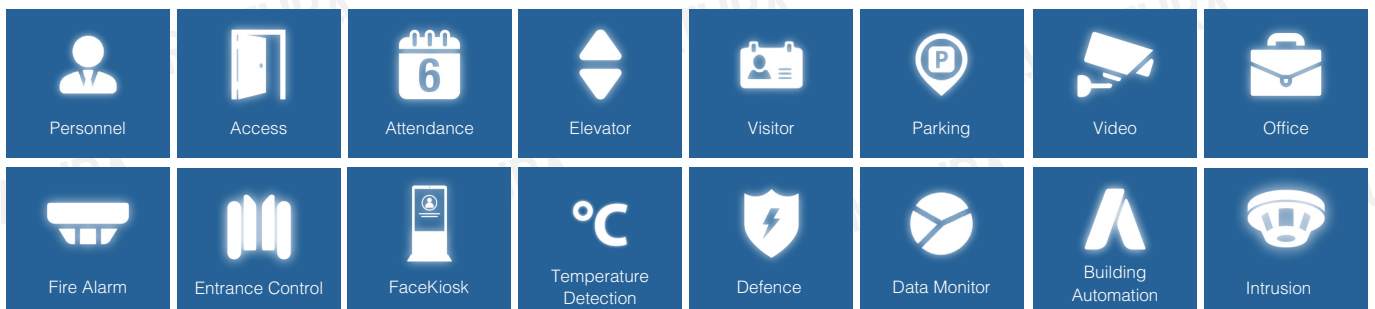
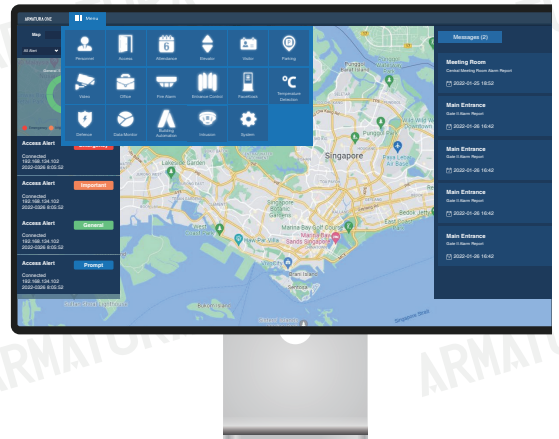
Available options include automatic full height turnstiles, mechanical full height turnstiles, single-passage full height turnstiles, and double-interlocking full height turnstiles.

### Standard Application

## Armatura One Security Platform

### Web-Based Versatile Security Platform

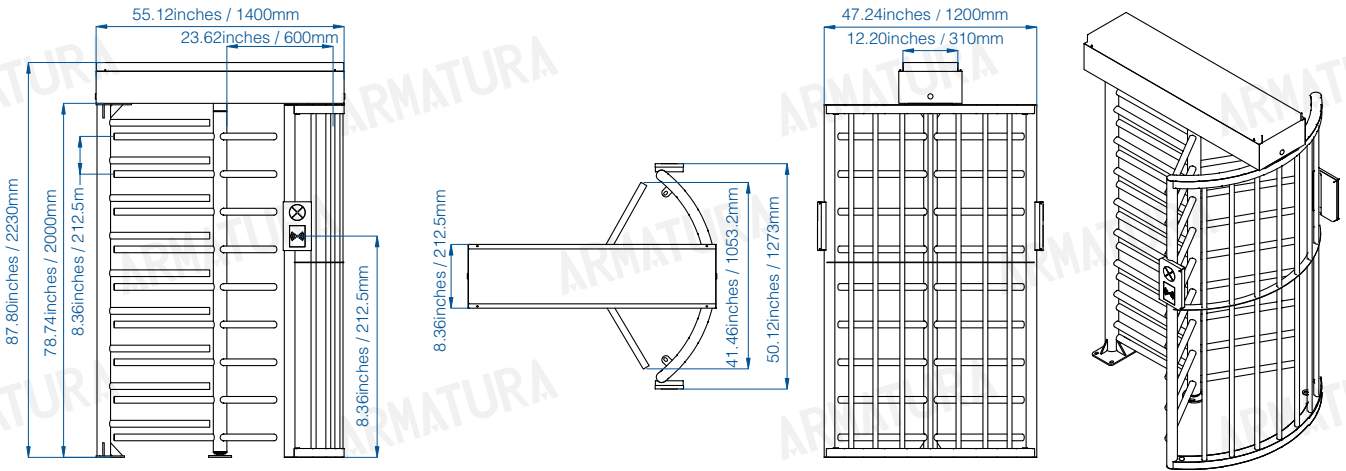
Armatura One is the ultimate “All-in-One” web-based security platform developed by Armatura. It contains multiple integrated modules: Personnel, Access Control, Time & Attendance, Elevator, Visitor, Parking Management, Video Management System, Office, Fire Alarm, Entrance Control, FaceKiosk, Temperature Detection, Defence, Data Monitor, Building Automation and Intrusion.



## Features

- High security level: strong stainless steel barrier suitable for high risk sites like prison or stadiums.
- High efficiency: smooth rotation grant quick and efficient pass for authorized entry.
- Rust resistance and water proof: Durable design, capable for exterior applications in all weather conditions.
- Flexible operation modes: One way or Bi-direction can be set accordingly. Once a signal is released from the access control system, the mechanism will unlock the arms and push on them a little. The passage can be completed in the authorized direction.

## Dimensions (mm)



## Specifications

### Material

SUS 304 stainless steel

### Access Width

23.62inches  
600mm

### Input Voltage

100V~240V

### Passing Speed

30 people / minute

### The Material Thickness

0.05"/ 0.06"  
1.2mm / 1.5mm

### Response Time

<1s

### Life Time

5 million times

### Access Direction

One-way / Two-way

### Opening Methods

ID/IC card reader, button opening, etc.

### Net Weight

291.01lb / 132kg

### Weight With Packing

473.99lb / 215kg

### Dimension With Packing (L\*W\*H)

55.75\*41.97\*88.19(inches)  
1416\*1066\*2240(mm)

## Application



Industrial Facility



Corporate Security



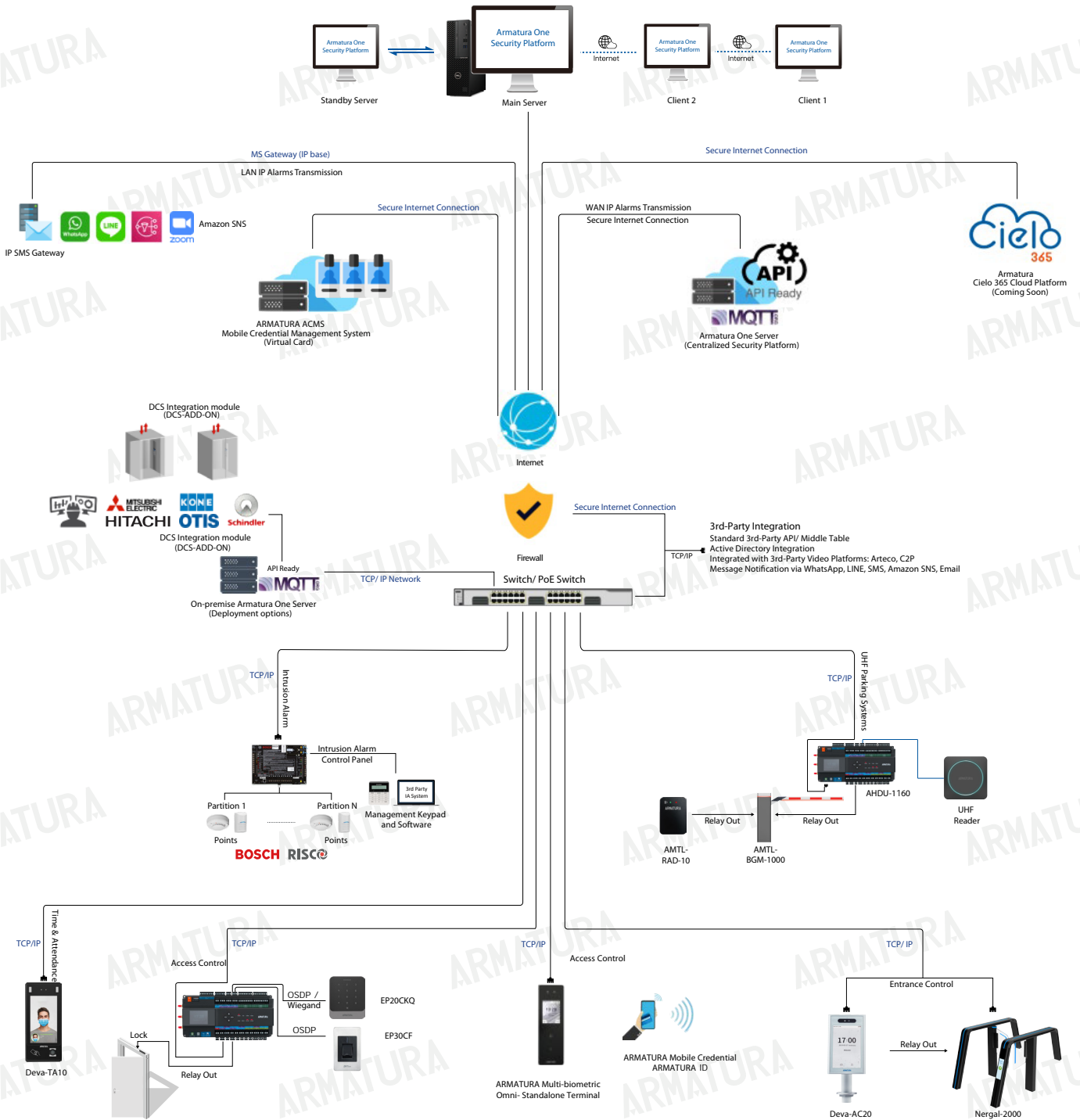
Government Security



Public Transportation



# Configuration



# ARMATURA

---

Address: 190 Bluegrass Valley Parkway Alpharetta, GA 30005

Phone: +1-650-4556863

Email: [sales@armatura.us](mailto:sales@armatura.us)

Website: [www.armatura.us](http://www.armatura.us)

Copyright © 2024 Armatura LLC @ ARMATURA, the ARMATURA logo, are trademarks of Armatura

